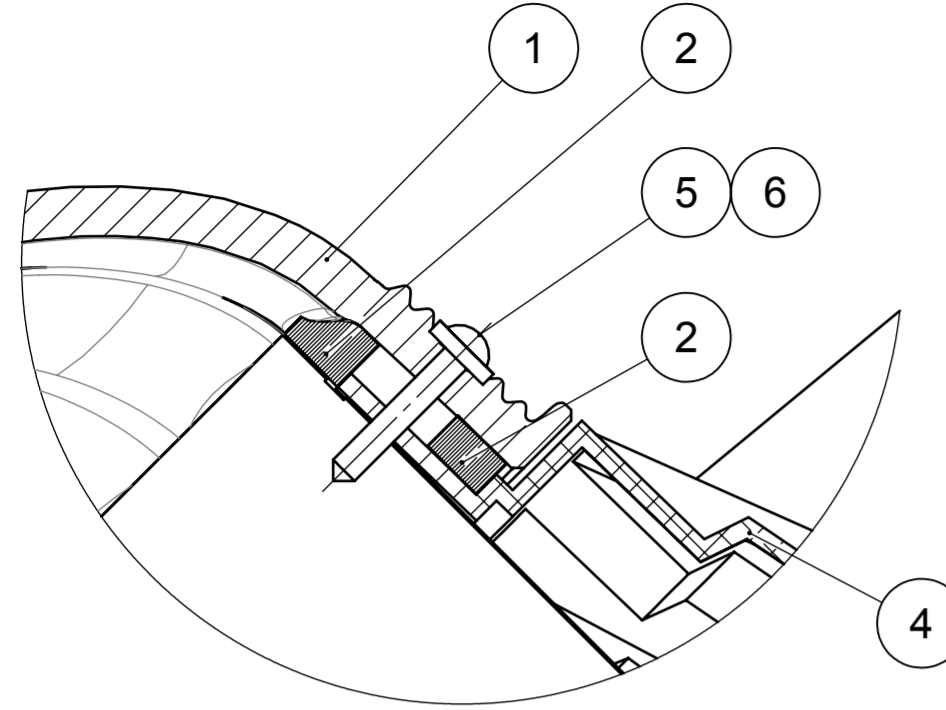


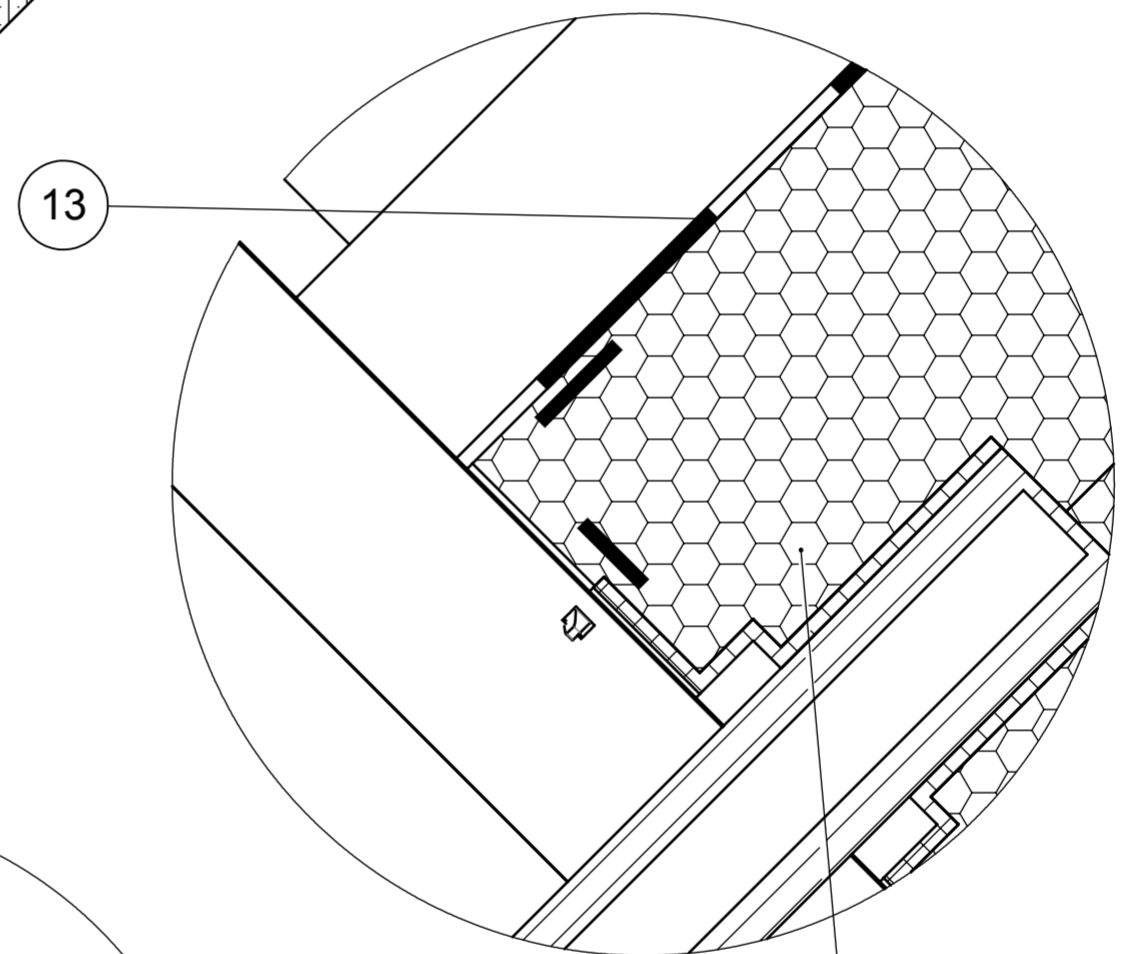
DETAIL D
DOME FIXATION



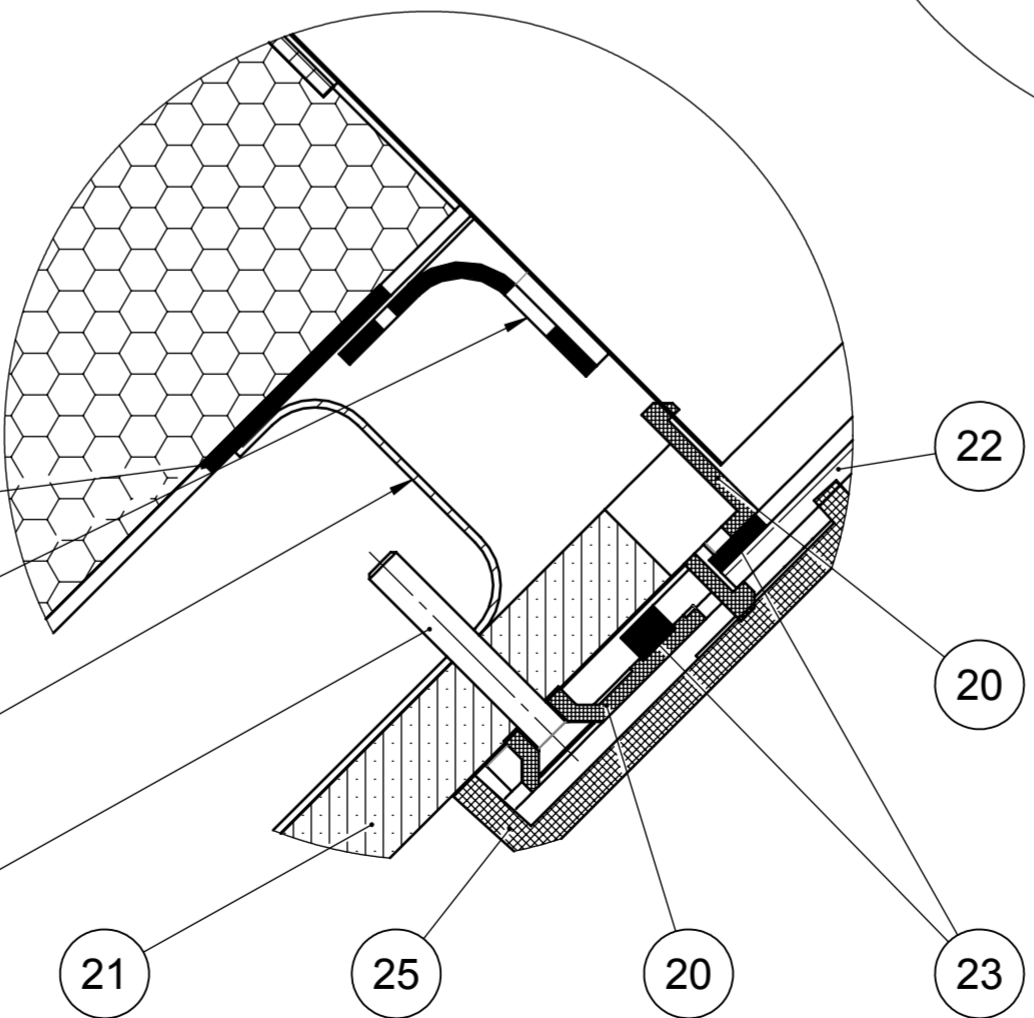
- 8
- 4
- 9
- 11
- 13
- 15
- 17
- 19
- 21

D

DETAIL F
FIXING OF SAFETY WATERPROOFING



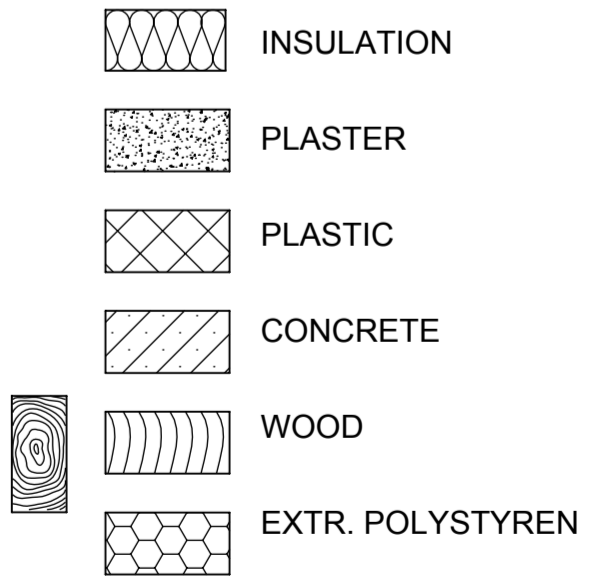
DETAIL E
DIFFUSER



LEGEND:

POS.	NAME
1	DOME
2	BUSHED NYLON GASKET
3	TUBE
4	FLASHING PLATE FOR PITCHED ROOF
5	SCREW
6	ELASTIC WASHER
7	CAULKING PROFILE FOR FLASHING PLATE
8	ROOFING
9	SUPPORT BATTEN
10	BATTEN
11	COUNTER BATTEN
12	SYSTEM TAPE E.G. JUTA
13	SAFETY WATERPROOFING E.G. JUTA
14	SEAM FOIL
15	INSULATION
16	TUBE INTO DIFFUSER HOLDER
17	VAPOUR BARRIER E.G. JUTA
18	SYSTEM TAPE E.G. JUTA
19	PROFILE FOR PLASTERBOARD
20	DIFFUSER HOLDER
21	PLASTERBOARD
22	DIFFUSER
23	SEALING
24	SCREW
25	FRAME
26	ISOLATION ELEMENT BLUE PERFORMANCE

MATERIAL LEGEND:



EXAMPLE FITTING OF LIGHTWAY CRYSTAL SYSTEM WITH ISOLATION ELEMENT BLUE PERFORMANCE IN PITCHED ROOF WITH INSULATION AND ATTIC



NO: CBDBP-0009-EN
VERSION: 1/2011