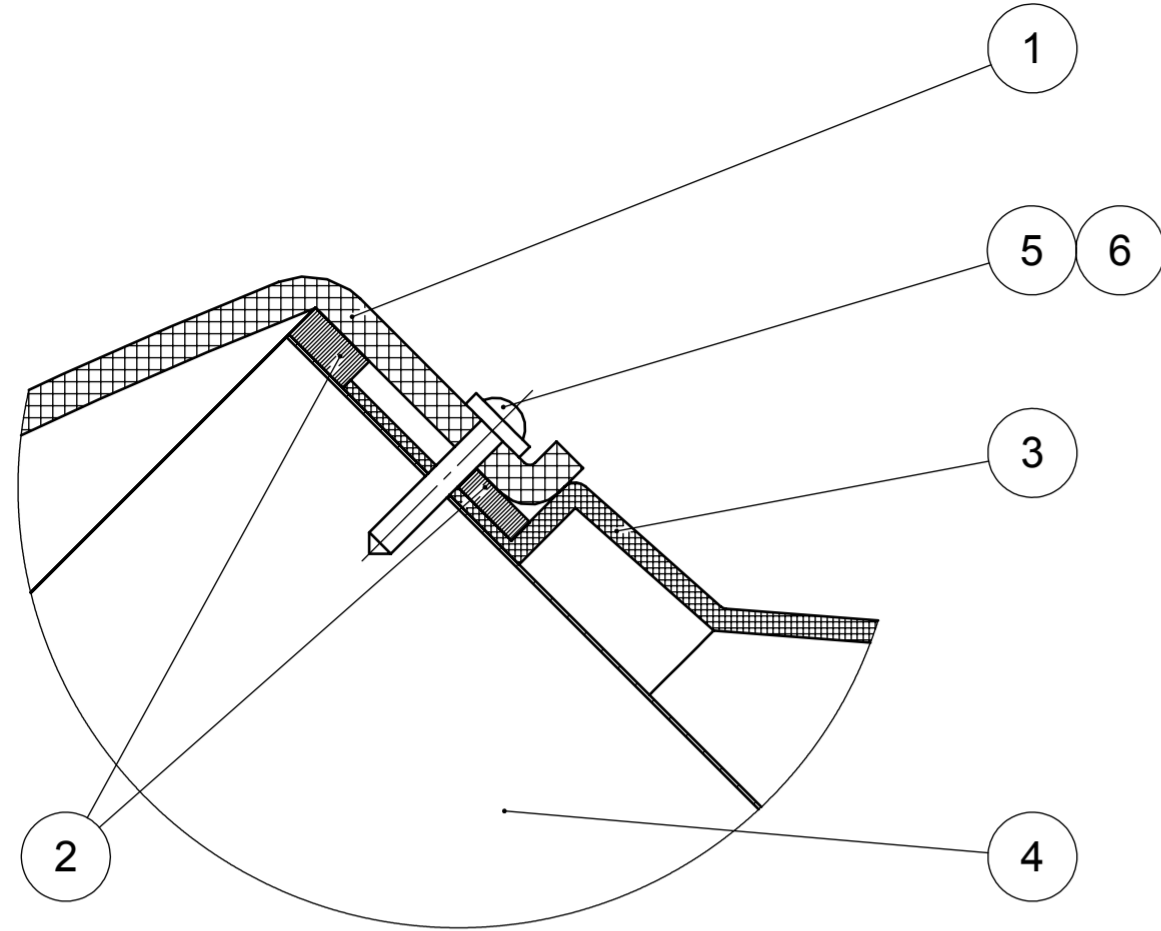
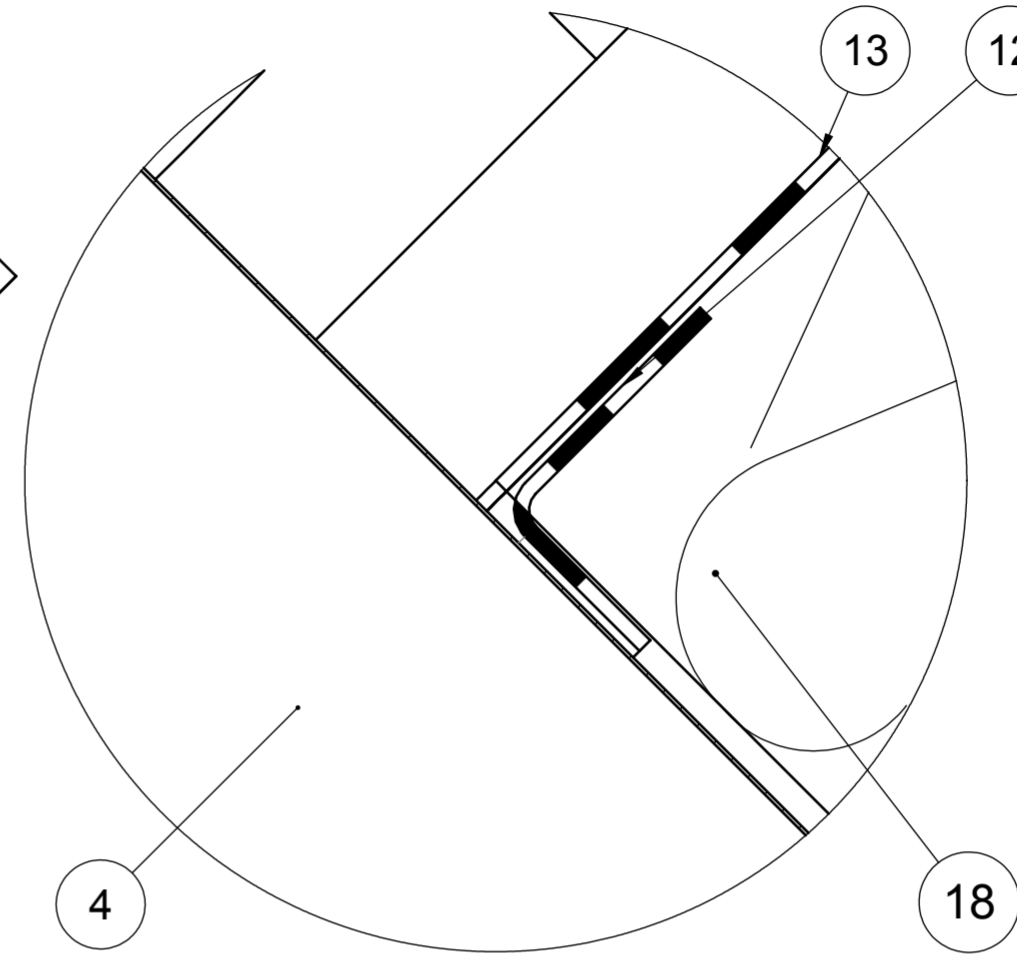


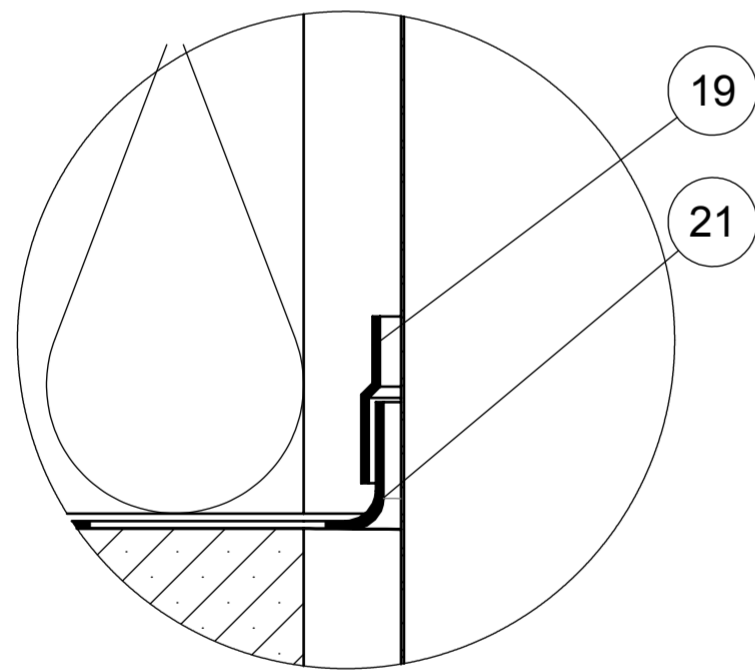
DETAIL D
DOME FIXATION



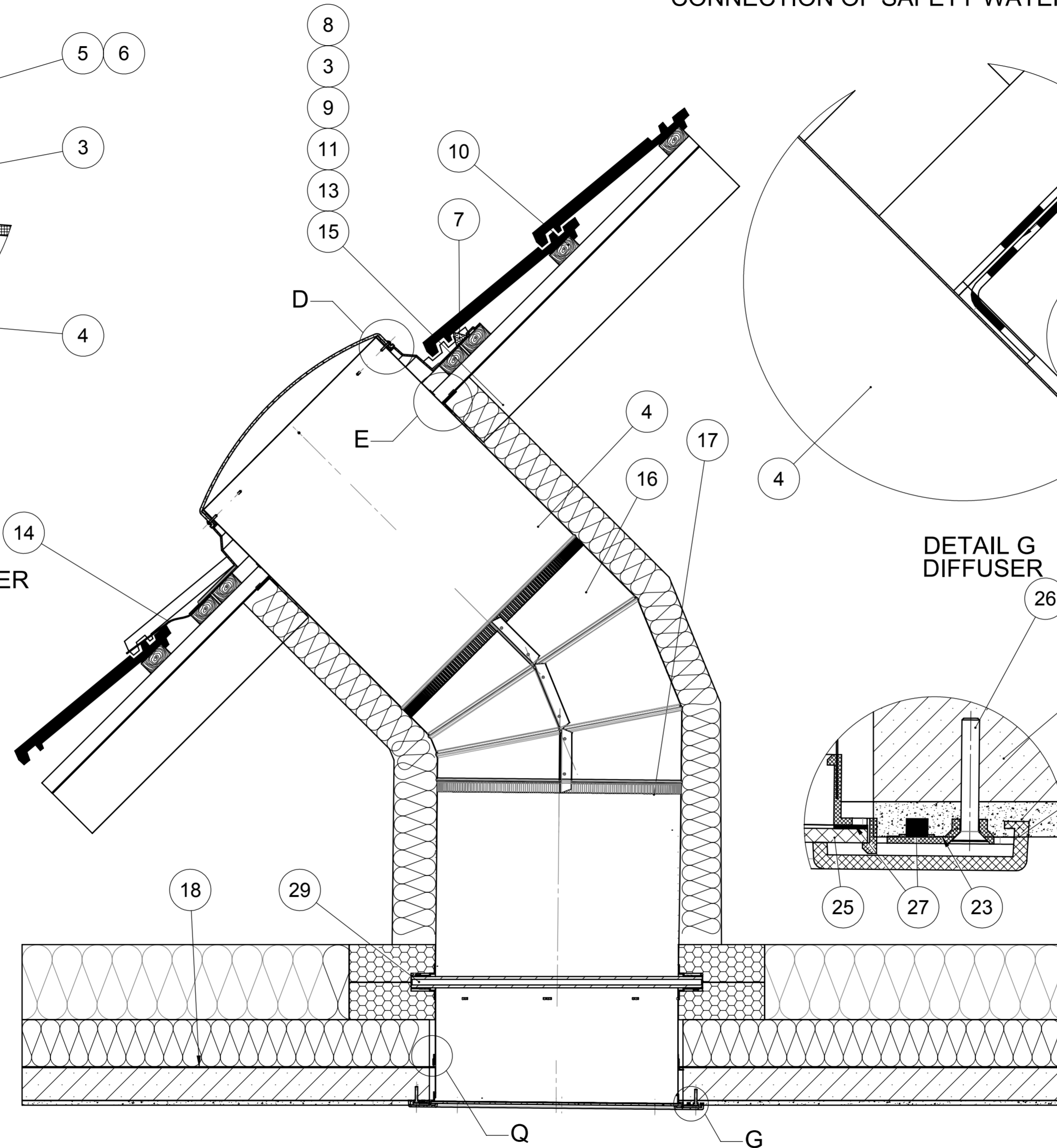
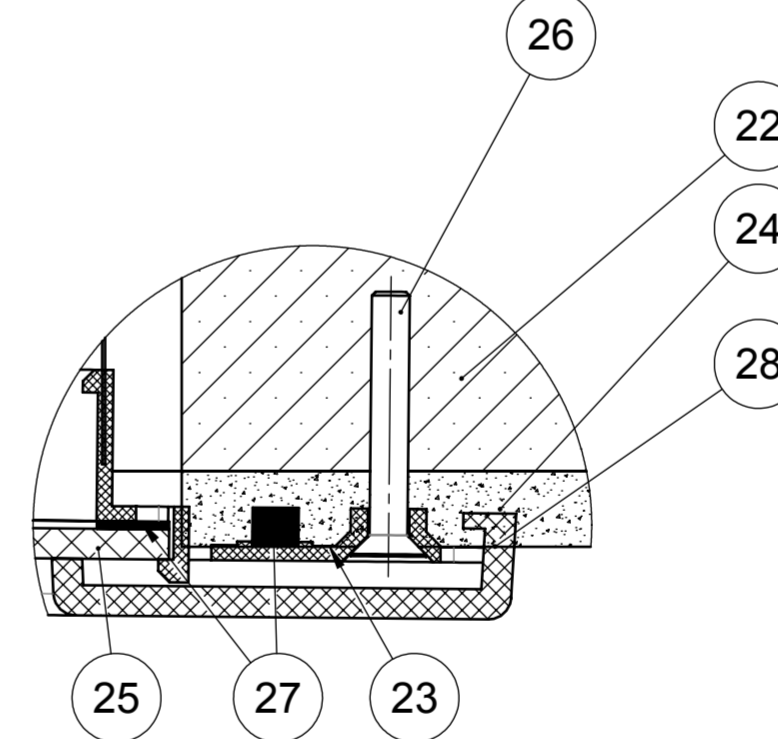
DETAIL E
CONNECTION OF SAFETY WATERPROOFING



DETAIL Q
CONNECTION OF VAPOUR BARRIER



DETAIL G
DIFFUSER



LEGEND:	
POS.	NAME
1	DOME
2	BRUSHED NYLON GASKET
3	FLASHING PLATE FOR PITCHED ROOF
4	TUBE
5	SCREW
6	ELASTIC WASHER
7	CAULKING PROFILE FOR FLASHING PLATE
8	ROOFING
9	SUPPORT BATTEN
10	BATTEN
11	COUNTER BATTEN
12	SYSTEM TAPE e.g. JUTA
13	SAFETY WATERPROOFING e.g. JUTA
14	SEAM FOIL
15	RAFTER
16	ADJUSTABLE ELBOW
17	TUBE
18	INSULATION
19	SYSTEM TAPE e.g. JUTA
20	TUBE INTO DIFFUSER HOLDER
21	VAPOUR BARRIER e.g. JUTA
22	CEILING STRUCTURE
23	DIFFUSER HOLDER
24	PLASTER
25	DIFFUSER
26	SCREW
27	SEALING
28	FRAME
29	ISOLATION ELEMENT BLUE PERFORMANCE

MATERIAL LEGEND:

	INSULATION
	PLASTER
	PLASTIC
	CONCRETE
	WOOD
	EXTR. POLYSTYREN

EXAMPLE FITTING OF LIGHTWAY SILVER WITH ISOLATION ELEMENT BLUE PERFORMANCE IN PITCHED ROOF WITHOUT INSULATION

lightway[®]
crystal tubular skylights

NO:
SDBBP-0009-EN
VERSION:
1/2011