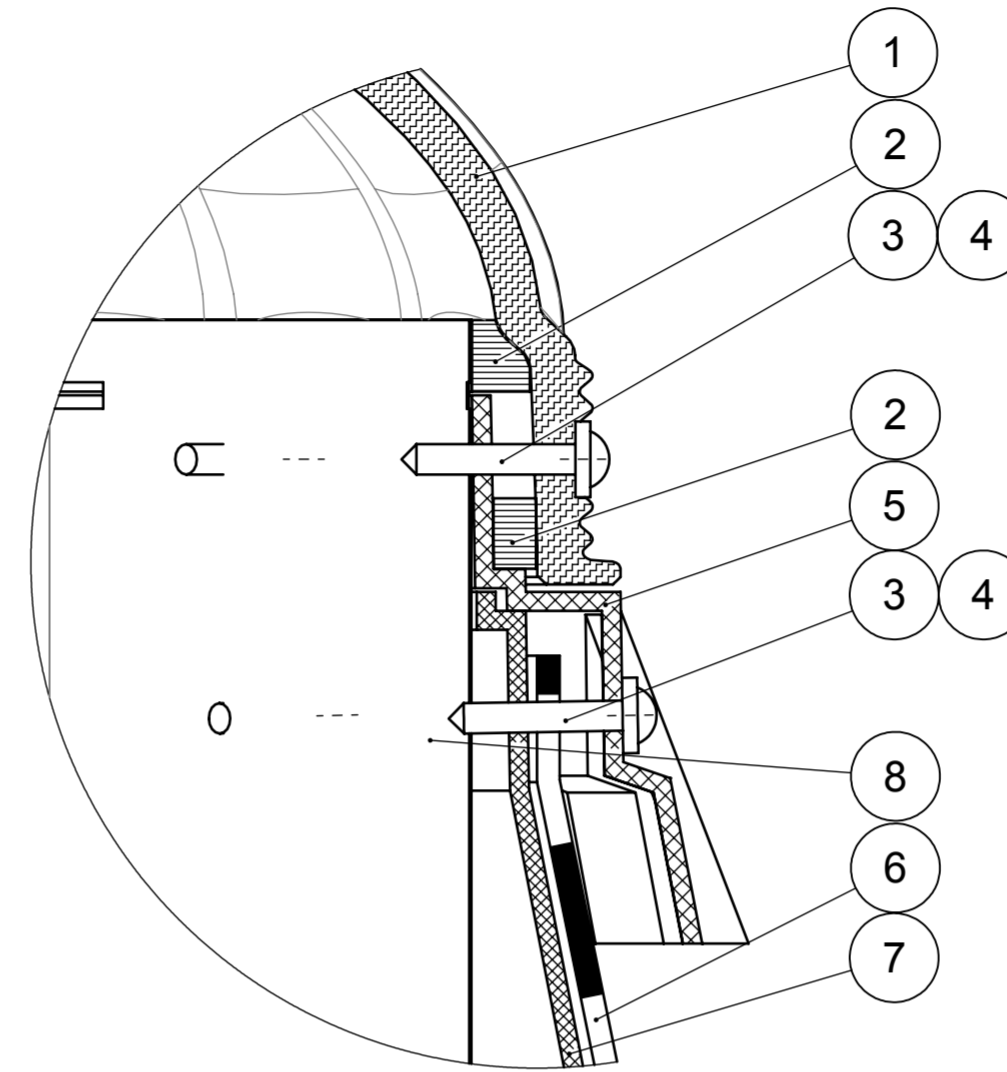
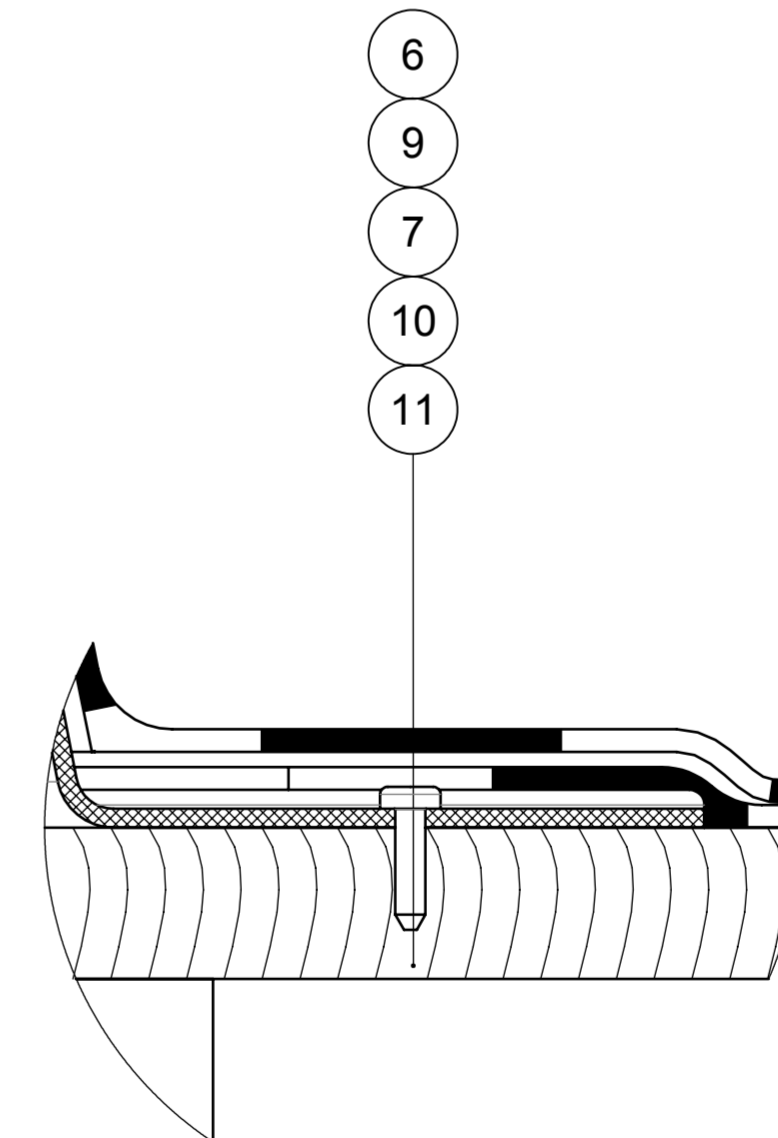


DETAIL A
DOME FIXATION

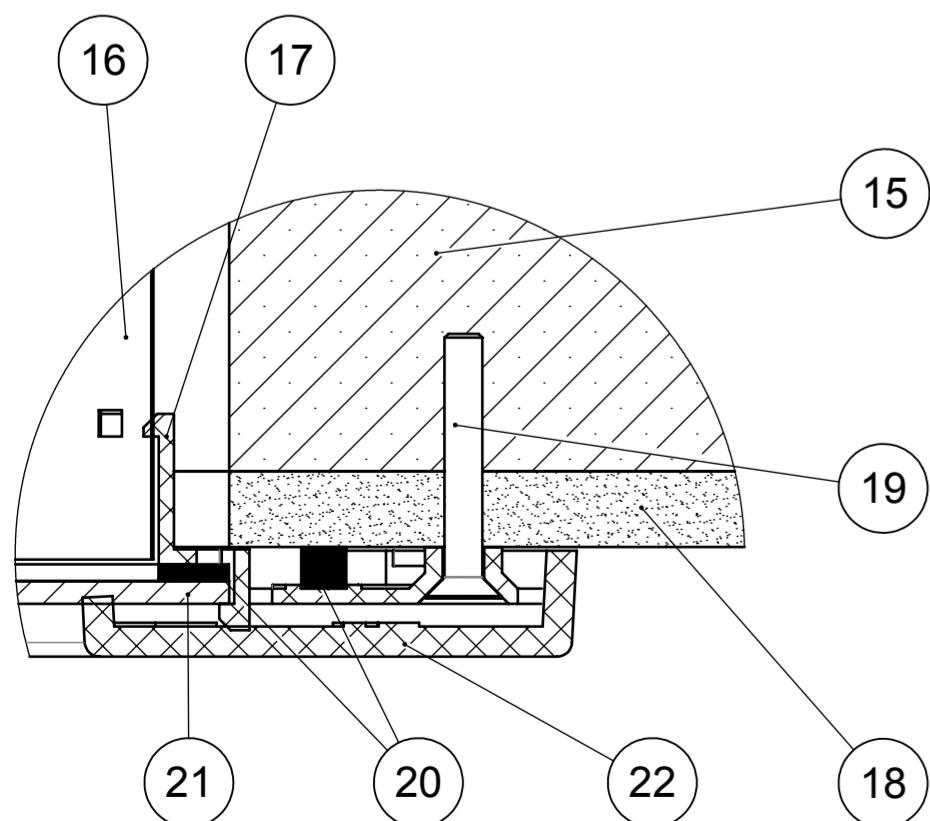


DETAIL B
CONNECTION OF WATERPROOFING

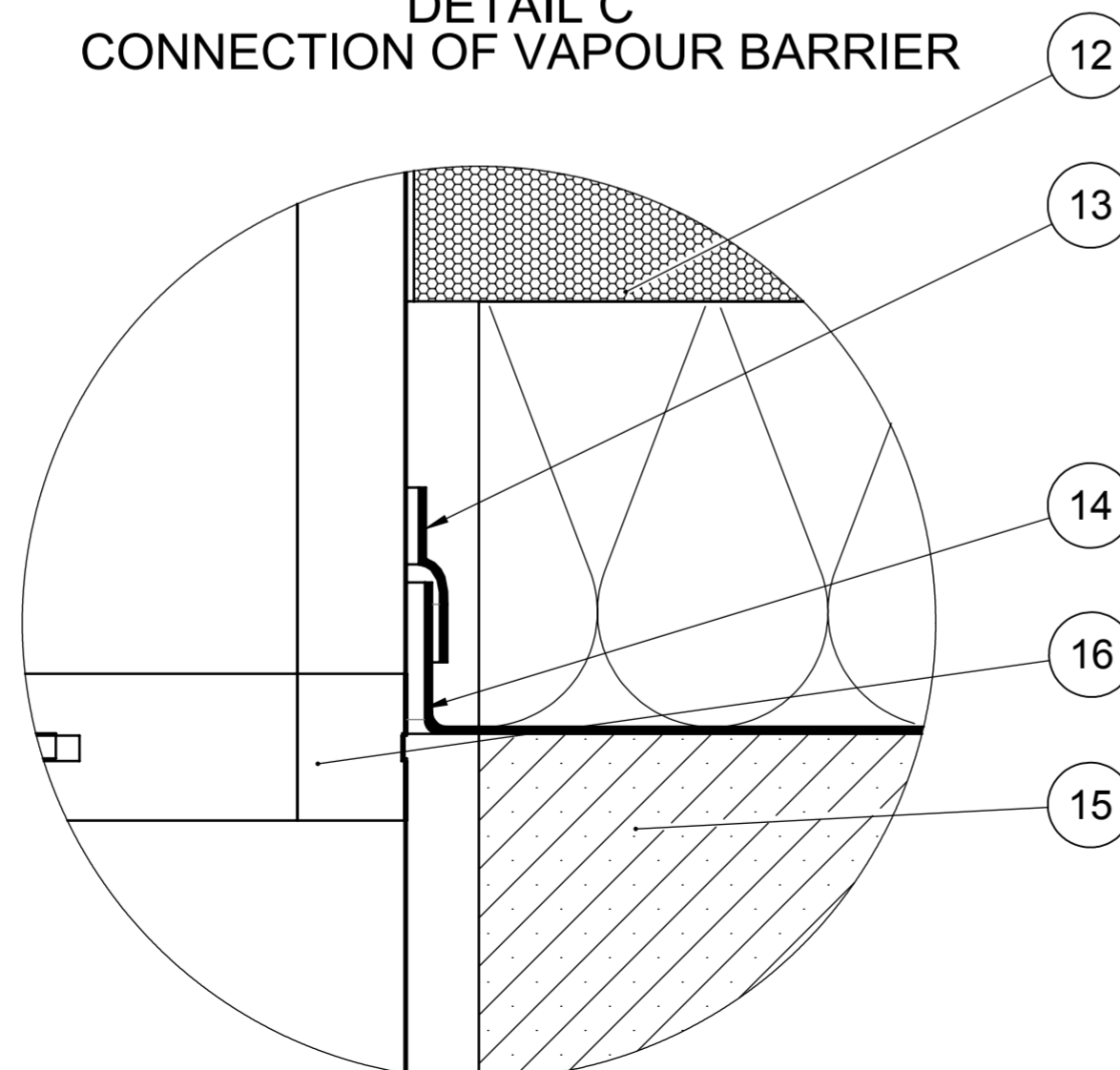


LEGEND:	
POS.	NAME
1	DOMES
2	BRUSHED NYLON GASKET
3	SCREW
4	ELASTIC WASHER
5	COLLAR
6	WATERPROOFING OF FLASHING PLATE
7	FLASHING PLATE FOR FLAT ROOF
8	TUBE
9	WATERPROOFING OF ROOF
10	SYSTEM FASTENER
11	CEILING STRUCTURE
12	INSULATION
13	SYSTEM TAPE E.G. JUTA
14	VAPOUR PROOFING E.G. JUTA
15	CEILING STRUCTURE
16	TUBE INTO DIFFUSER HOLDER
17	DIFFUSER HOLDER
18	PLASTER
19	SCREW
20	SEALING
21	DIFFUSER
22	FRAME
23	ISOLATION ELEMENT BLUE PERFORMANCE

DETAIL D
DIFFUSER



DETAIL C
CONNECTION OF VAPOUR BARRIER



MATERIAL LEGEND:

	INSULATION
	PLASTER
	PLASTIC
	CONCRETE
	WOOD

EXAMPLE FITTING OF LIGHTWAY CRYSTAL SYSTEM WITH ISOLATION ELEMENT BLUE PERFORMANCE IN FLAT ROOF WITH TWO ROOF DECKS



NO:
CBDBP-0001-EN
VERSION:
1/2011