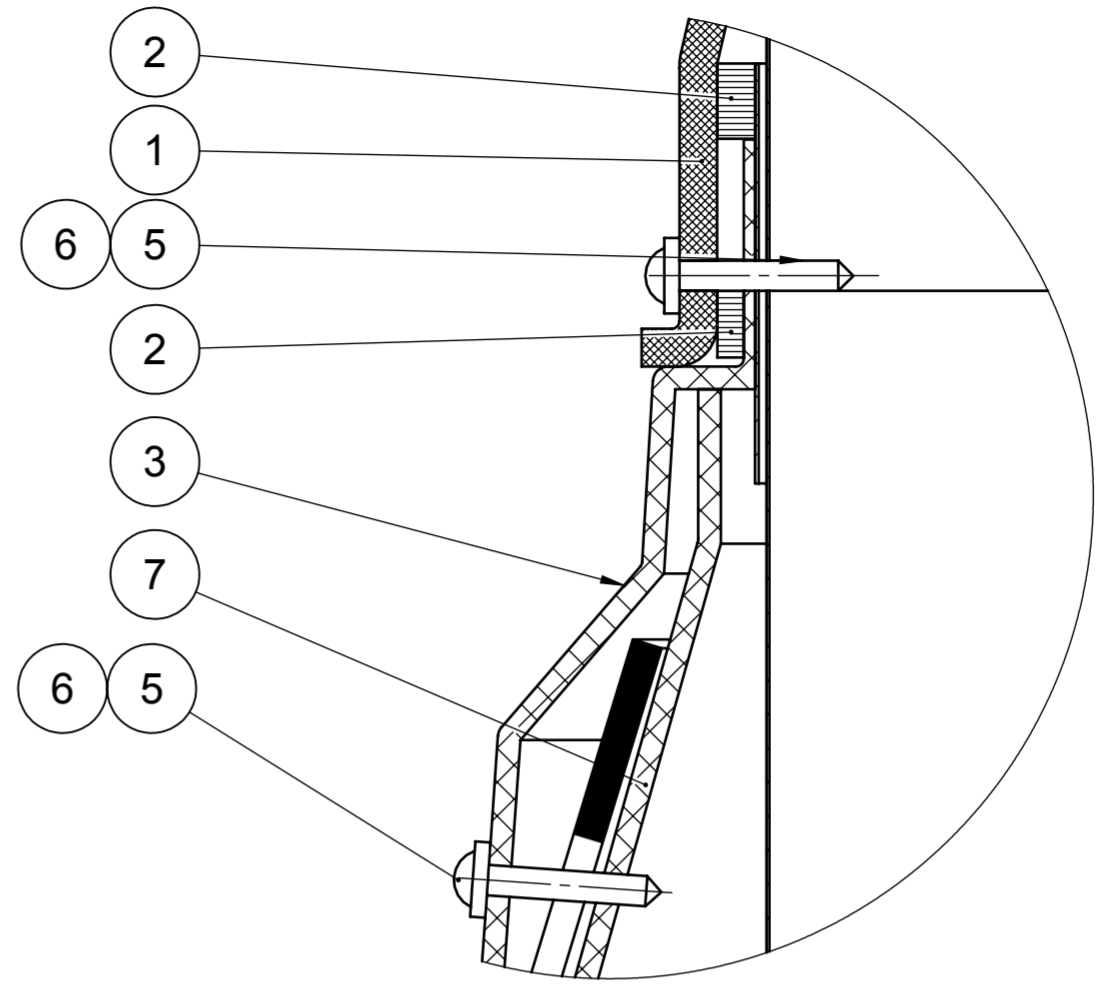
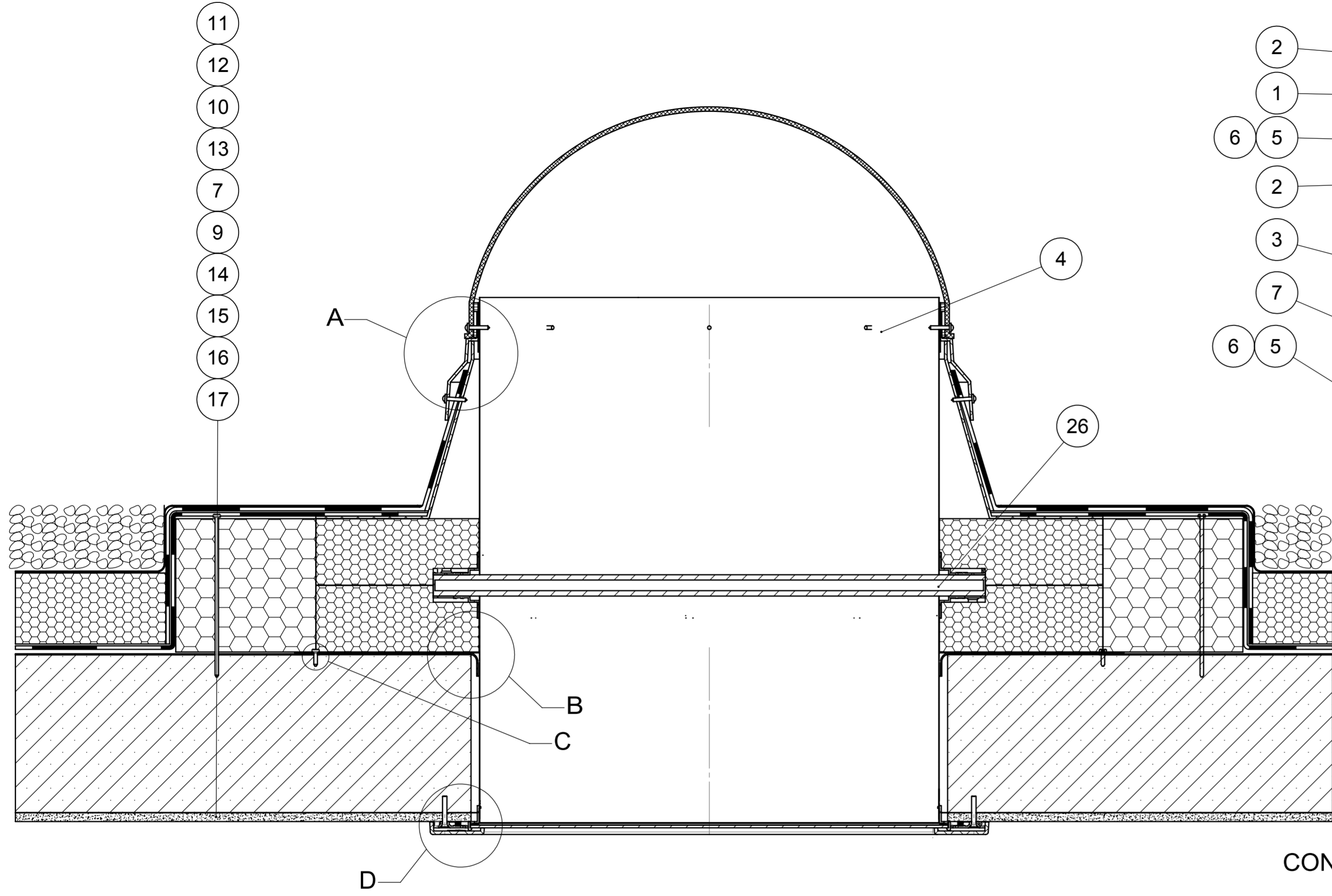


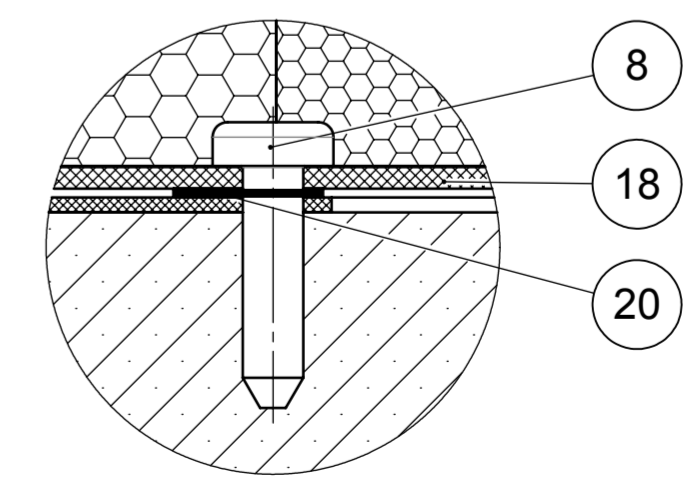
### DETAIL A DOME FIXATION



LEGEND:

POS.	NAME
1	DOME
2	BRUSHED NYLON GASKET
3	COLLAR
4	TUBE
5	SCREW
6	ELASTIC WASHER
7	FLASHING PLATE FOR FLAT ROOF
8	SYSTEM FASTENER
9	SYSTEM FASTENER
10	WATERPROOFING OF FLASHING PLATE
11	GRAVEL
12	PROTECTION FABRIC
13	WATTERPROOFING OF ROOF
14	EXTRUDED POLYSTYREN
15	VAPOUR BARRIER
16	CEILING STRUCTURE
17	PLASTER
18	ELASTIC VAPOR BARRIER LIGHTWAY
19	TUBE INTO DIFFUSER HOLDER
20	BITUMEN SEALANTS
21	SCREW
22	DIFFUSER HOLDER
23	SEALING
24	DIFFUSER
25	FRAME
26	ISOLATION ELEMENT BLUE PERFORMANCE

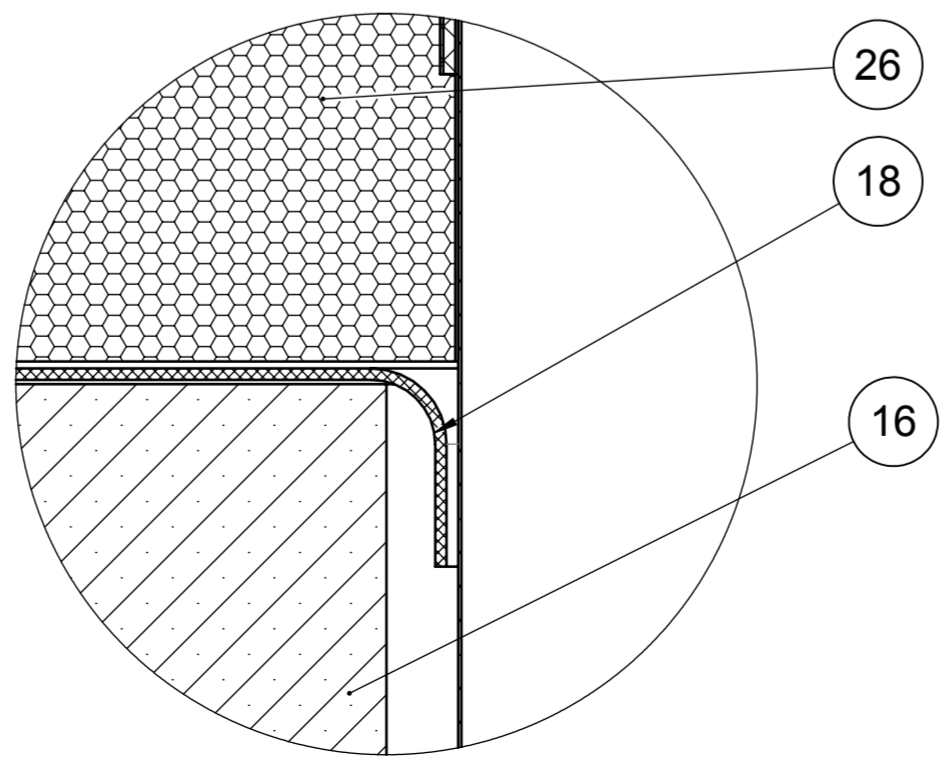
### DETAIL C CONNECTION OF VAPOUR BARRIER



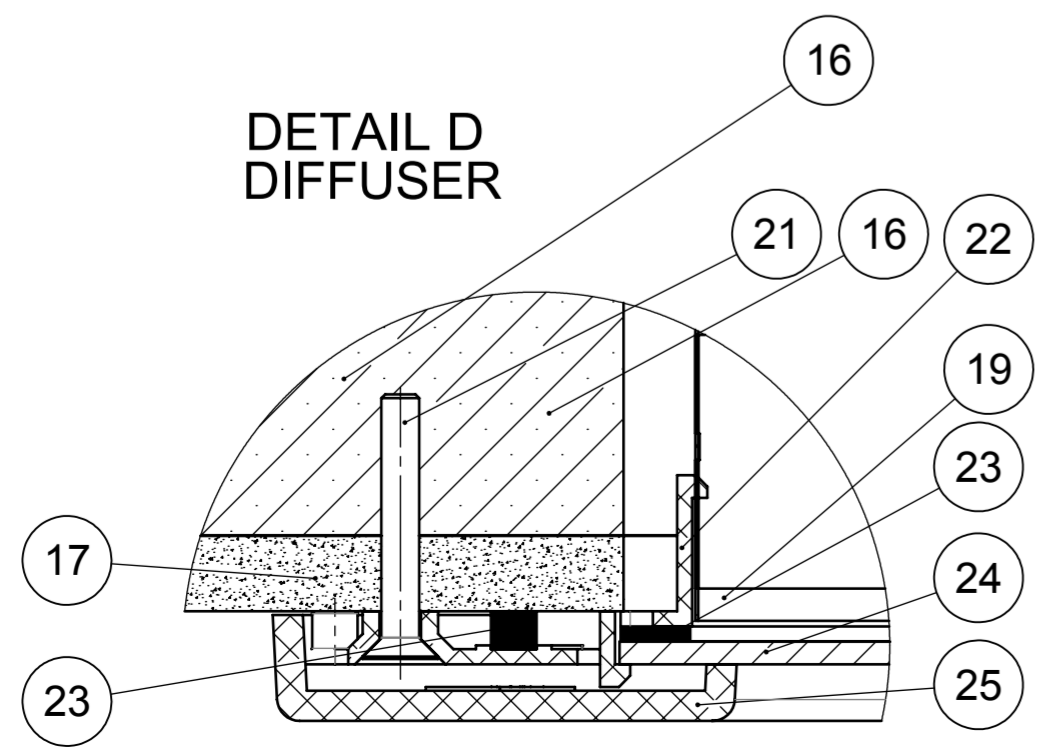
MATERIAL LEGEND:

	PLASTER
	PLASTIC
	CONCRETE
	EXTR. POLYSTYREN
	GRAVEL

### DETAIL B CONNECTION OF ELASTIC VAPOUR BARRIER LIGHTWAY



### DETAIL D DIFFUSER



FITTING OF FIXING OF LIGHTWAY SILVER SYSTEM WITH ISOLATION ELEMENT BLUE PERFORMANCE IN FLAT ROOF WITH REVERSE ORDER OF LAYERS



NO: SBDBP-0003-EN  
VERSION: 1/2011